

Vinco[®]

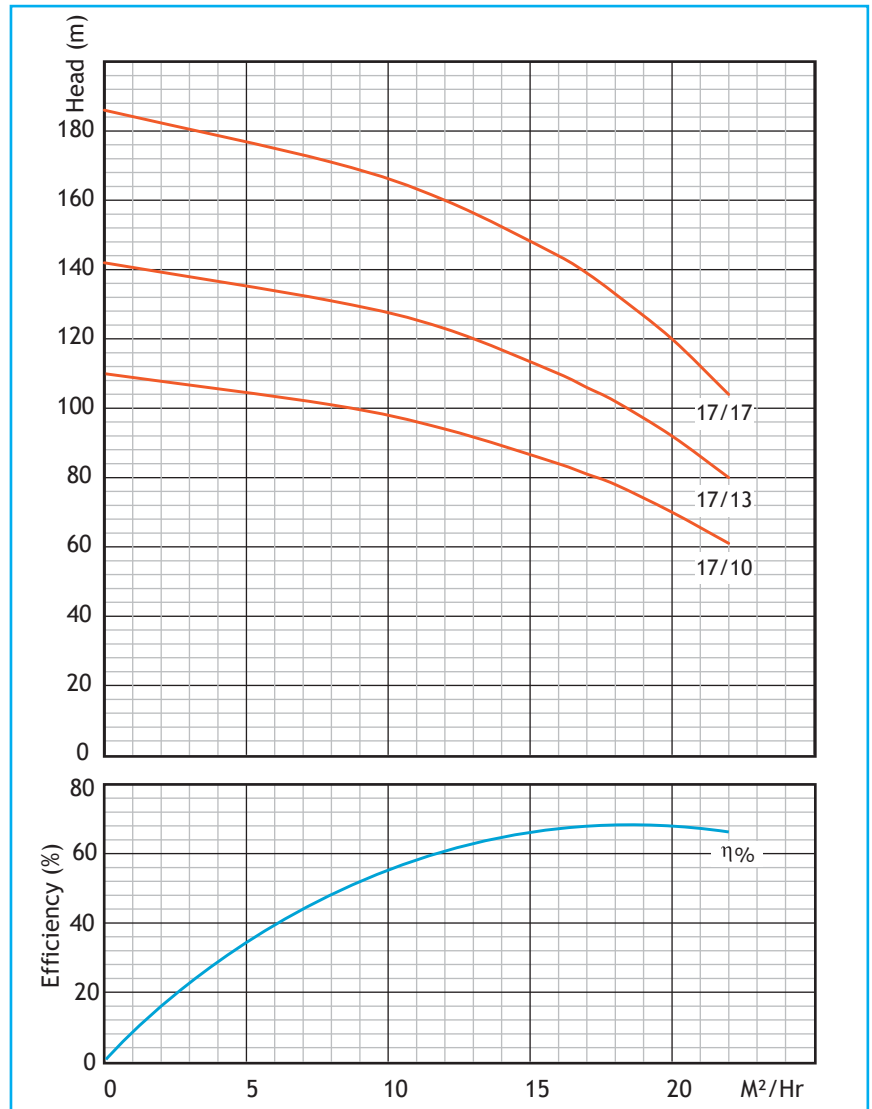
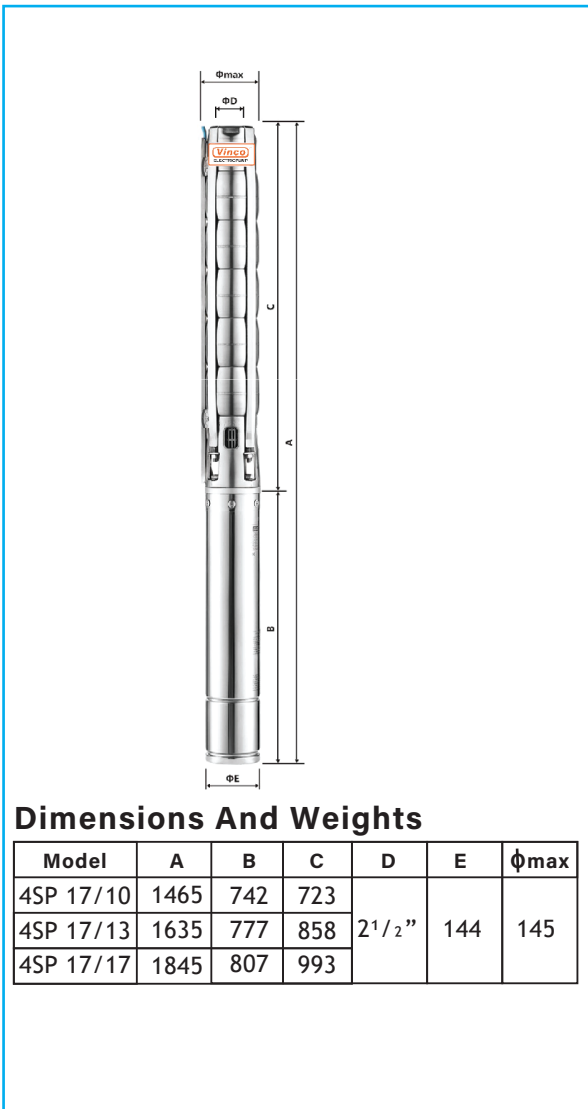
ELECTRICPUMP

6SP 17 SERIES, 50Hz

PERFORMANCE CHART

Pump Type	Power		Outlet Size	Weight (kg)	Q (m ³ /H)	DISCHARGE(Q)							
	kW	HP				TOTAL HEAD IN METRES (M)							
						0.0	8.0	12.0	16.0	17.0	18.0	20.0	22.0
6SP 17/10	5.5	7.5	2 1/2"	13.1	H(M)	110	101	94	84	81	78	70	61
6SP 17/13	7.5	10.0	2 1/2"	16.1		142	131	123	110	106	102	92	80
6SP 17/17	9.2	12.5	2 1/2"	20.2		186	171	160	144	139	133	120	104

6SP 17 SERIES PERFORMANCE CURVES



Vinco®

ELECTRICPUMP

6SP 17 SERIES, 50Hz

PERFORMANCE CHART

Pump Type	Power		Outlet Size	Weight (kg)	Q (m ³ /H)	DISCHARGE(Q)							
	kW	HP				0.0	8.0	12.0	16.0	17.0	18.0	20.0	22.0
						TOTAL HEAD IN METRES (M)							
6SP 17/20	11.0	15.0	2 1/2"	23.3	H(M)	219	201	188	169	163	156	141	122
6SP 17/24	13.0	17.5	2 1/2"	27.42		263	241	226	203	195	187	169	147
6SP 17/27	18.5	25.0	2 1/2"	30.51		296	271	254	228	220	211	190	165

6SP 17 SERIES PERFORMANCE CURVES



Dimensions And Weights

Model	A	B	C	D	E	Φmax
4SP 17/20	2005	832	1173	2 1/2"	144	145
4SP 17/24	2215	862	1353			
4SP 17/27	2455	967	1488			

