

Vinco[®]

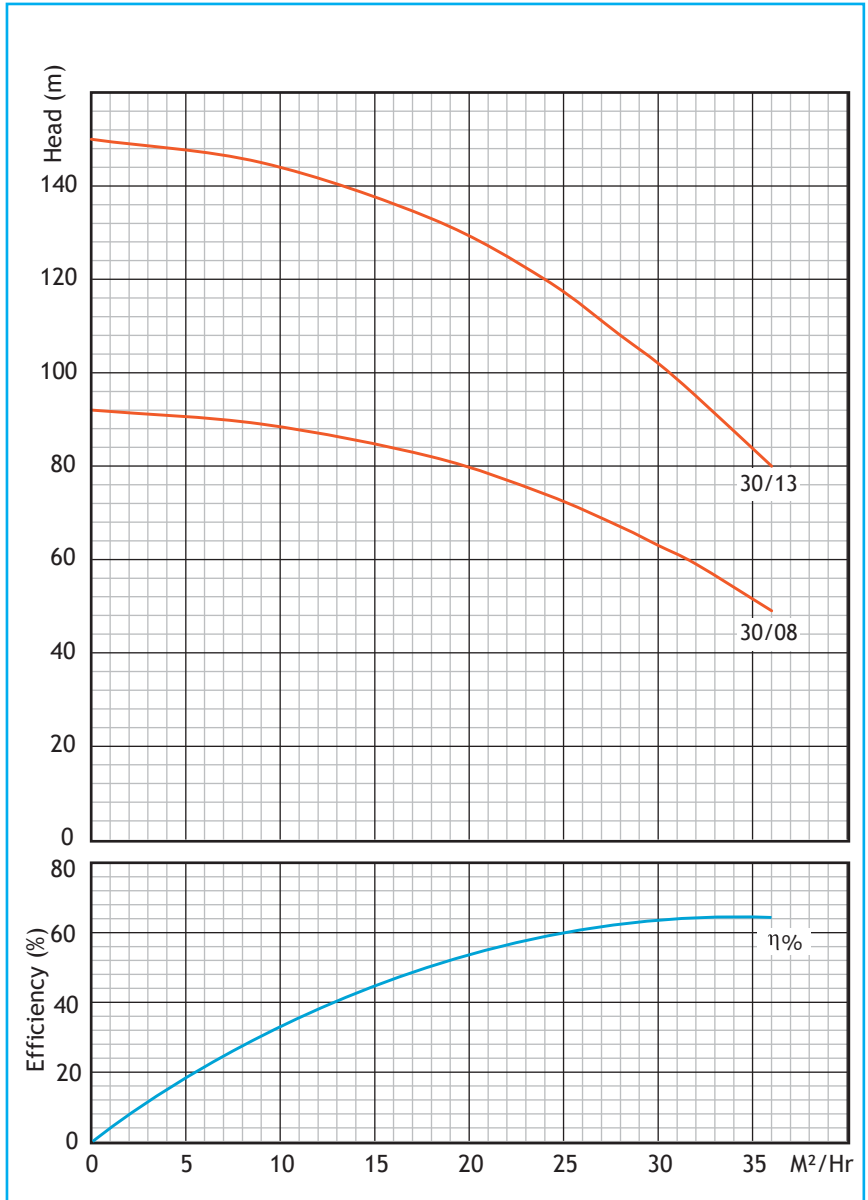
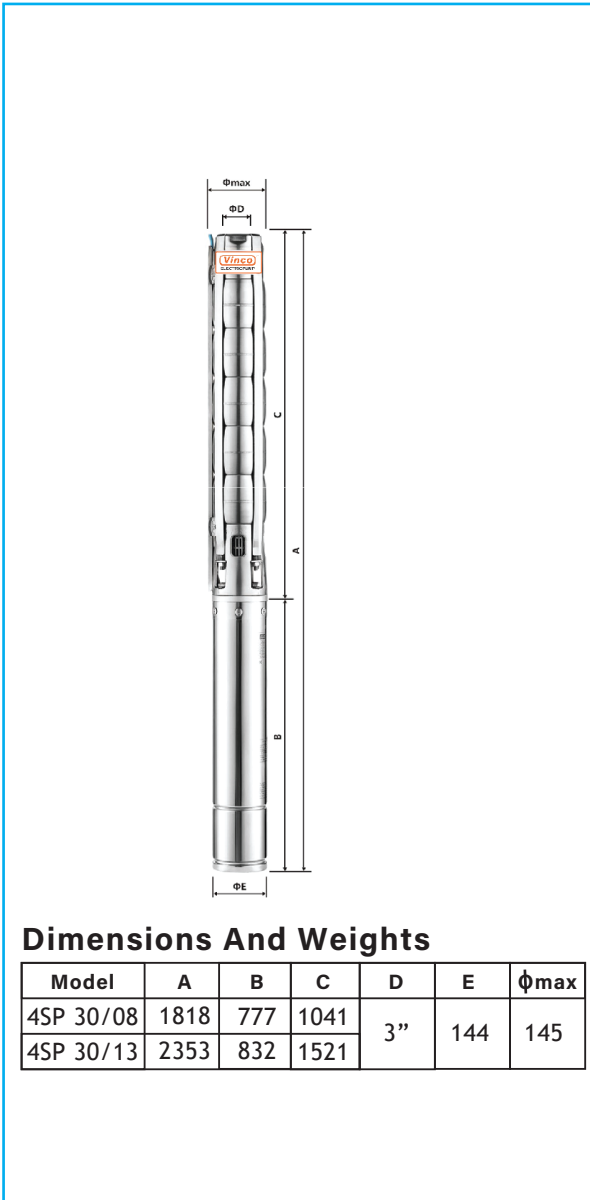
ELECTRICPUMP

6SP 30 SERIES, 50Hz

PERFORMANCE CHART

Pump Type	Power		Outlet Size	Weight (kg)	Q (m ³ /H)	DISCHARGE(Q)							
	kW	HP				0.0	9.0	18.0	24.0	28.0	30.0	32.0	36.0
						TOTAL HEAD IN METRES (M)							
6SP 30/08	7.5	10.0	3"	17.9	H(M)	92	89	82	74	67	63	59	49
6SP 30/13	11.0	15.0	3"	26.9		150	145	133	120	108	102	95	80

6SP 30 SERIES PERFORMANCE CURVES



Vinco[®]

ELECTRICPUMP

6SP 30 SERIES, 50Hz

PERFORMANCE CHART

Pump Type	Power		Outlet Size	Weight (kg)	Q (m ³ /H)	DISCHARGE(Q)							
	kW	HP				0.0	9.0	18.0	24.0	28.0	30.0	32.0	36.0
						TOTAL HEAD IN METRES (M)							
6SP 30/17	15.0	20.0	3"	34.1	H(M)	196	190	173	156	141	133	125	105

6SP 30 SERIES PERFORMANCE CURVES



Dimensions And Weights

Model	A	B	C	D	E	Φmax
4SP 30/17	2822	917	1905	3"	144	145

